



ELECTROLUX OUTDOOR PRODUCTS

PNC	Type/Prefix/nd	Model	Brand
953900464	02 03	ELECTRAMAC EL 1750-14	McCULLOCH
3130012-52 953900366	02 03	ELECTRAMAC 230 SHUKO	McCULLOCH
953900366	02 03	ELECTRAMAC 235 SCHUKO	McCULLOCH
3130114-01 953900037	02 03	ELECTRAMAC 235 ASSY UK	McCULLOCH
953900478	02 03	EL 1640	McCULLOCH
953900468	02 03	ELECTRAMAC ES 1816	McCULLOCH
953900385	02 03	ELECTRAMAC 235 AUSTRALIA	McCULLOCH
953900413	02 03	ELECTRAMAC 1435	McCULLOCH
953900420	02 03	ELECTRAMAC 235 CH	McCULLOCH
953900463	02 03	ELECTRAMAC ES 1814	McCULLOCH
953900497	02 03	MEL 235 + CHAIN OIL	McCULLOCH

Number of Pages 1 of 3

Factory: IIQ - Valmadrera	Product Group: OP 92
Publication Number: EIPL2003_VP0302015	Petrol Portable
Publication Date: 01/02/03	Sub Group 9434

Service

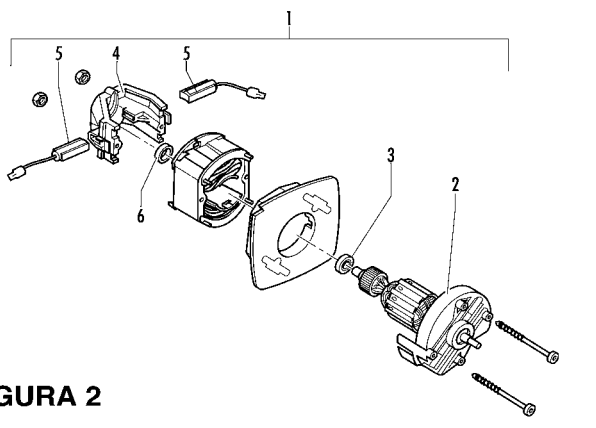


FIGURA 2

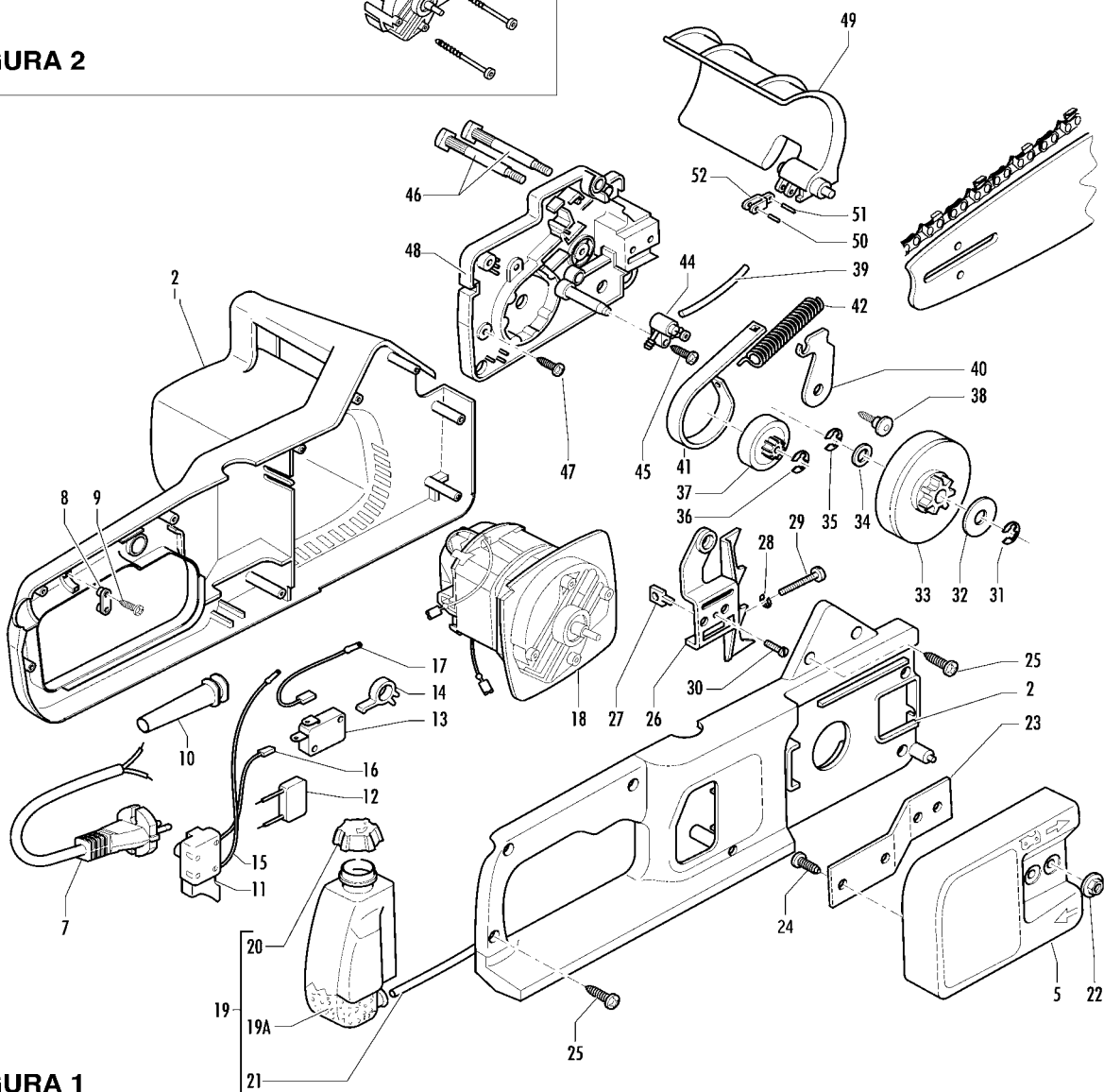


FIGURA 1

FIGURA 1

pos	P/N McC	P/N ELX	Q.ty	DESCRIPTION
2	249134	538249134	1	CRANKCASE KIT
5	247597	538247597	1	PINION COVER
C 7	241050	538241050	1	WIRE+PLUG (SCHUKO)
	241668	538241668	1	WIRE+PLUG (UK)
	241952	538241952	1	WIRE+PLUG (AUS)
	241033	538241033	1	WIRE+PLUG (CH)
8	241052	538241052	1	CLAMP
9	241077	538241077	2	SCREW M4X14
10	241051	538241051	1	WIRE PROTECTION
C 11	241053	538241053	1	SWITCH
12	240794	538240794	1	NOISE REDUCTION DEVICE
13	229797	538229797	1	MICRO SWITCH
14	241048	538241048	1	SWITCH LEVER
15	241055	538241055	1	MOTOR/SWITCH WIRE
16	241056	538241056	1	SWITCH/ MICROSWITCH WIRE
17	241057	538241057	1	MOTOR SWITCH WIRE
C 18	FIGURA 2			
C 19	4305	538004305	1	OIL TANK ASSY
19A	242365	538242365	1	OIL FILTER
B 20	• 241060	538241060	1	OIL CAP
C 21	• 242402	538242402	1	OIL TUBE
A 22	242501	538242501	2	NUT M6
C 23	241065	538241065	1	PINION COVER PLATE
24	241077	538241077	1	SCREW M4X14
25	240862	538240862	8	SCREW M4X18
26	241036	538241036	1	SPIKE CHAIN TENSIONER NUT
A 27	241037	538241037	1	TENSIONER NUT
B 28	235367	538235367	1	BENZING D.4
B 29	241167	538241167	1	SCREW M5X30
30	229082	538229082	1	SCREW M 2,9X 9,5
B 31	229137	538229137	1	D.8 RING
C 32	241075	538241075	1	10X30X0,8mm WASHER
B 33	241038	538241038	1	ES GEAR ASSY

pos	P/N McC	P/N ELX	Q.ty	DESCRIPTION
C 34	241074	538241074	1	10X15X1mm WASHER
35	229137	538229137	1	D.8 RING
36	241073	538241073	1	D 8 mm. SEEGER RING
37	241041	538241041	1	PINION
38	241045	538241045	1	SCREW M 4X14
39	229743	538229743	1	OIL TUBE
40	241044	538241044	1	LEVER
41	241500	538241500	1	BRAKE METAL STRIPPING
42	241451	538241451	1	BRAKE SPRING
B 44	241183	538241183	1	OIL PUMP ASSY
45	240862	538240862	1	SCREW M4X18
A 46	241035	538241035	2	SCREW
47	240862	538240862	5	SCREW M4X18
48	241029	538241029	1	MOTOR HOLDER
C 49	247717	538247717	1	BRAKE LEVER ASSY(BLACK)
50	• 229394	538229394	1	NEEDLE BEARING
51	• 241144	538241144	1	PIN
52	• 241043	538241043	1	TOGGLE

FIGURA 2 1500W

C 1	241031	538241031	1	MOTOR
C 2	• 00258744	538058744	1	ROTOR
C 3	• 00216404	538216404	1	BEARING
C 4	• 00248957	538048957	1	BRUSHES HOLDER
C 5	• 00248956	538048956	2	BRUSHES
C 6	• 00216400	538216400	1	BEARING

FIGURA 2 1600W

C 1	242781	538242781	1	MOTOR
C 2	• 249148	538249148	1	ROTOR
C 3	• 00216404	538216404	1	BEARING
C 4	• 00248957	538048957	1	BRUSHES HOLDER
C 5	• 00248956	538048956	2	BRUSHES
C 6	• 00216400	538216400	1	BEARING

FIGURA 2 1700W - 1750W - 1800W - 1850W

C 1	242781	538242781	1	MOTOR
C 2	• 249148	538249148	1	ROTOR
C 3	• 00216404	538216404	1	BEARING
C 4	• 00248957	538048957	1	BRUSHES HOLDER
C 5	• 00248956	538048956	2	BRUSHES
C 6	• 00216400	538216400	1	BEARING

A= ALTA ROTAZIONE
B=MEDIA ROTAZIONE
C=BASSA ROTAZIONE

A=HIGH MOVING
B=MEDIUM MOVING
C=SLOW MOVING

A=HAUTE DEMANDE
B=MOYENNE DEMANDE
C=BASSE DEMANDE

A=GROBE NACHFRAGE
B=MITTELMAEßIGE
C=WENIGE NACHFRAGE